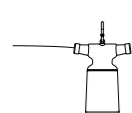
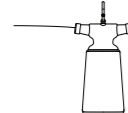
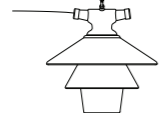
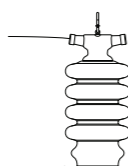
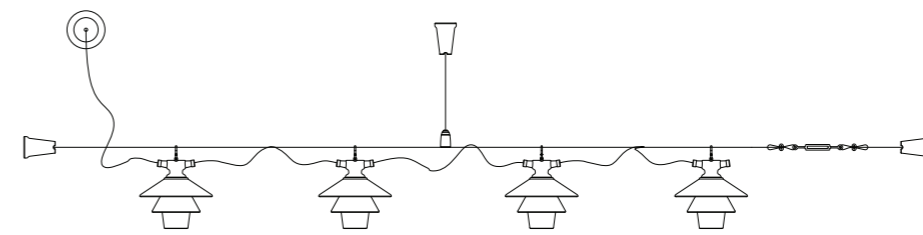


Battersea sistema

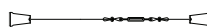


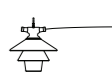
Articoli / Articles


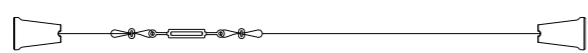
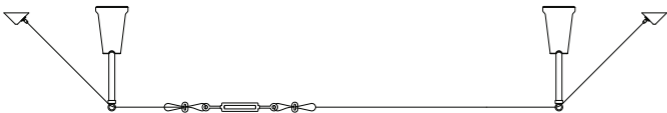
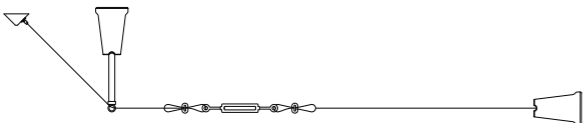
| | | | |
|--|---|---|---|
|  |  |  |  |
| ARTICLE 950C | ARTICLE 951C | ARTICLE 952C | ARTICLE 954/22C |
| DIMENSIONS Ø 65 h 125 1,5 mt cable | DIMENSIONS Ø 75 h 155 1,5 mt cable | DIMENSIONS Ø 160 h 160 1,5 mt cable | DIMENSIONS Ø 110 h 220 1,5 mt cable |
| POWER 1 x E27 max 42W | POWER 1 x GU10 max 50W | POWER 1 x E27 max 42W 1 x GU10 max 50W | POWER 1 x E27 max 42W 1 x GU10 max 50W |

esempio / example



componenti / components

- 1 x 967 
- 1 x 957 
- 1 x 966  (opzionale / optional)
- 4 x 952C 

| | | |
|---|--|--|
|  |  | ARTICLE 967 |
| ARTICLE 966 | | DIMENSIONS Ø 75 inc. 6 mt steel cable |
| DIMENSIONS Ø 75 inc. 1.5 mt steel cable |  | ARTICLE 968 |
| | | DIMENSIONS Ø 75 h 260 inc. 6 mt steel cable |
| |  | ARTICLE 969 |
| | | DIMENSIONS Ø 75 h 260 inc. 6 mt steel cable |